



—  
your partner  
in sensor  
technology.

# + Datasheet EE431

Duct and Immersion Temperature Sensor



# EE431

## Duct and Immersion Temperature Sensor

The EE431 duct and immersion sensor reliably measures the temperature (T) in air and liquids and is optimized for building automation, HVAC and process control.

### Analogue, Digital and Passive Outputs

The measured data of the temperature is available at the voltage or current output, as well as on the RS485 interface with Modbus RTU protocol. In addition, EE431 features a wide choice of sensing elements for passive T measurement. An optional display is available for the EE431 with analog output.

### Easy Installation

The device can be mounted either with the plastic mounting flange or via external mounting holes at the enclosure. The innovative immersion well is dedicated for measurement in liquids and allows for fast and safe replacement of the sensor. The EE431 with RS485 interface is appropriate for daisy chain wiring.

### Configurable and Adjustable

An optional adapter and the free Product Configuration Software facilitate the setup and adjustment of the EE431.



EE431 temperature sensor with immersion well



EE431 temperature sensor with mounting flange



EE431 temperature sensor with display

# Features

## Enclosure

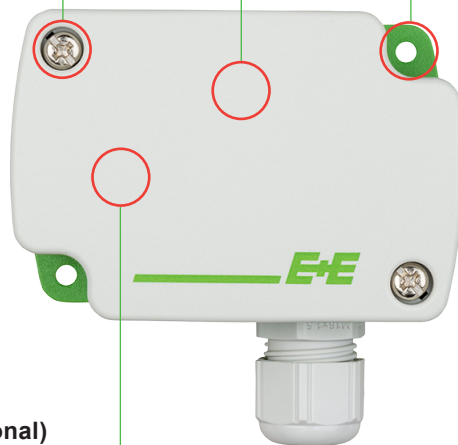
- Protection rating: IP65/Nema 4X
- Polycarbonate (PC)

## Bayonet screws

- Open/close with a ¼ rotation

## External mounting holes

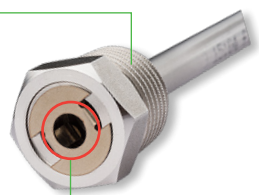
- Mounting with closed cover
- Protection against construction site pollution
- Easy and fast mounting



## LC display (optional)

- 38 x 20 mm (1.5 x 0.8")

## Immersion well

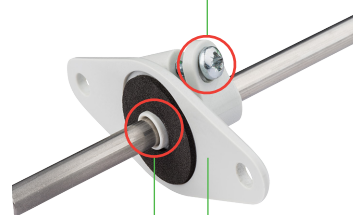


## Innovative mounting spring

- For securing the probe inside the well
- No fastening screw, no tools required

## Screw clamp

- No direct screwing onto probe
- Inclined screw for easy installation



## Mounting flange

## Special sealing

- Foam gasket for good tightness
- No scratching of probe due to alignment notch

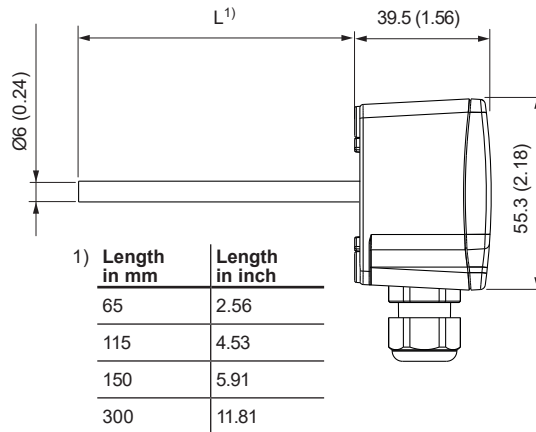
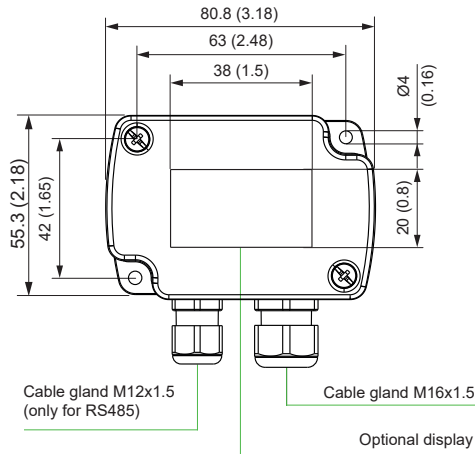
## Test report

According to DIN EN 10204-2.2

# Dimensions

Values in mm (inch)

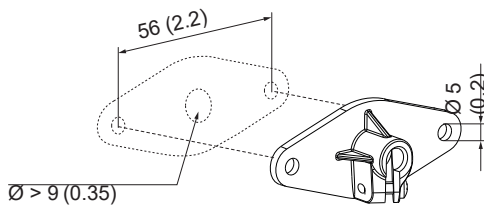
## Temperature sensor



## Mounting accessories

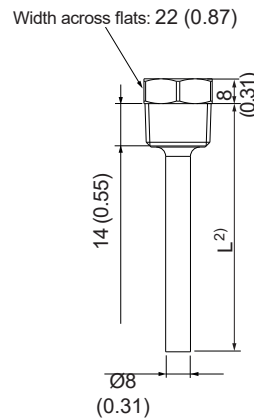
### Mounting flange

(not included in the scope of supply)



### Immersion well

(not included in the scope of supply)



2) Length in mm	Length in inch
50	1.97
100	3.94
135	5.31
285	11.22

# Technical Data

## Measurands

### Temperature (T) - Active

<b>Measuring range</b>	<b>Duct sensor (probe tip)</b> <b>With immersion well (probe tip)</b>	-40 °C...+110 °C (-40...+230 °F) -40 °C...+130 °C (-40...+266 °F)
<b>Accuracy</b> @ 20 °C (68 °F)	<b>Optional for analogue output</b>	±0.25 °C (0.36 °F) ±0.1 °C (±0.18 °F) <sup>1)</sup>

1) Uncertainty of factory calibration at 20 °C ±0.1 °C (68 °F ±0.18 °F).

### Temperature (T) - Passive

<b>Measuring range</b>	<b>Duct sensor</b> <b>Immersion Sensor with Pt and Ni T sensor</b>	-40 °C...+110 °C (-40...+230 °F) -40 °C...+150 °C (-40...+302 °F)		
<b>Sensor type</b>		<b>Nominal resistance</b>	<b>Sensitivity</b>	<b>Standard</b>
	<b>Pt100 DIN B</b>	R <sub>0</sub> : 100 Ω	TC: 3.850 x 10 <sup>-3</sup> /°C	DIN EN 60751
	<b>Pt1000 DIN B</b>	R <sub>0</sub> : 1000 Ω	TC: 3.850 x 10 <sup>-3</sup> /°C	DIN EN 60751
	<b>NTC10k B3950</b>	R <sub>25</sub> : 10 kΩ ±0.5 %	B <sub>25/85</sub> : 3989 K (B <sub>25/50</sub> : 3950 K ± 1.0 %)	-
	<b>NTC20k B4286</b>	R <sub>25</sub> : 20 kΩ ± 0.2 °C	B <sub>25/85</sub> : 4286 K (B <sub>25/85</sub> : 4286 K ± 1.0 %)	-
	<b>Ni1000 TK6180 DIN B</b>	R <sub>0</sub> : 1000 Ω	TC: 6180 ppm/K	DIN 43760
	<b>Ni1000 TK5000 DIN B</b>	R <sub>0</sub> : 1000 Ω	TC: 5000 ppm/K	DIN 43760

## Outputs

### Analogue

<b>Analogue output</b>	0 - 10 V 4 - 20 mA (2-wire)	-1 mA < I <sub>L</sub> < 1 mA R <sub>L</sub> ≤ 500 Ω	I <sub>L</sub> = load current R <sub>L</sub> = load resistance
------------------------	--------------------------------	---	---

### Digital




<b>Digital interface</b>	RS485 (EE431 = 1 Unit Load)
<b>Protocol</b> <b>Factory settings</b> <b>Supported Baud rates</b> <b>Measured data types</b>	Modbus RTU Baud rate see order information, data bits 8, parity even, 1 stop bit, Modbus address 66 9600, 19200 und 38400 FLOAT32 and INT16

### T Sensor Passive

<b>Sensor connection</b>	2-wire connection
<b>Measuring current, typ.</b>	< 1 mA (according to technical data of the specific T sensing element)

# Technical Data

## General

<b>Power supply</b> class III  USA & Canada: Class 2 supply necessary, max. voltage 30 V DC <b>for output RS485 and 0 - 10 V</b> <b>for output 4 - 20 mA</b>		15 - 35 V DC or 24 V AC $\pm 20\%$ 10 V DC + $R_L \times 20 \text{ mA} < V+ < 35 \text{ V DC}$ $R_L = \text{load resistance}$				
<b>Current consumption,</b> @ 24 V	<b>Voltage output</b>	DC supply max. 0.8mA AC supply max. 4.6 mA <sub>rms</sub>	with display max. 1.7 mA with display max. 7 mA <sub>rms</sub>			
	<b>Current output</b>	According to output current	According to output current			
	<b>Digital interface</b>	DC supply typ. 3.5 mA AC supply typ. 12 mA <sub>rms</sub>				
<b>Electrical connection</b>		Screw terminals max. 2.5 mm <sup>2</sup> (AWG14)				
<b>Cable glands</b>		M16x1.5 / M12x1.5 / UL94 V-2				
<b>Insulation resistance (probe)</b> @20 °C (68 °F)		>100 MΩ				
<b>LC-display</b>		Available for output A3 and A6 1 line, switchable between °C / °F or according to order code Without backlight Visible area 38 mm x 20 mm (1.5" x 0.8")				
<b>Response time t<sub>63</sub></b> Duct sensor at 3 m/s (590 ft/min) air velocity Immersion sensor in liquid water bath		<1 min <30 s				
<b>Humidity working range</b>		5...95 %RH, non-condensing				
<b>Temperature working range</b>		<b>Duct sensor (probe tip)</b>	<b>With immersion well (probe tip)</b> Active	Passive	<b>Electronics without Display</b>	<b>Electronics with Display</b>
		-40...+110 °C (-40...+230 °F)	-40...+130 °C (-40...+266 °F)	-40 °C...+150 °C (-40...+302 °F)	-40...+70 °C (-40...+158 °F)	-20...+50 °C (-4...+122 °F)
<b>Storage conditions</b>		Without display -30...+70 °C (-22...+158 °F) 5...95 %RH, non-condensing With display -20...+50 °C (-4...+122 °F) 5...95 %RH, non-condensing				
<b>Probe material</b>		Stainless steel (1.4571 / 316Ti)				
<b>Enclosure</b>		Polycarbonate (PC), UL94 V-0 approved IP65/NEMA 4X				
<b>Material Protection rating</b>						
<b>Electromagnetic compatibility</b>		EN 61326-1 FCC Part15 Class B	EN 61326-2-3 ICES-003 Class B	Industrial environment		
<b>Conformity</b>		 				
<b>Configuration and adjustment</b> For display and 0 - 10 V version		PCS10 Product Configuration Software (free download: <a href="http://www.epluse.com/pcs10">www.epluse.com/pcs10</a> ) and configuration adapter.				
For digital and 4 - 20 mA version without display		EE-PCS Product Configuration Software (free download: <a href="http://www.epluse.com/configurator">www.epluse.com/configurator</a> ) and configuration adapter.				

# Technical Data

## Mounting Accessories

### Immersion Well

Material	Brass (nickel-plated) Stainless steel (1.4404 / 316L; tube: 1.4571 / 316Ti)				
Pressure rating	<b>Brass</b>	PN 15 bar (218 psi)			
	<b>Stainless steel</b>	PN 25 bar (363 psi)			
Max. flow speed		<b>50 mm (1.97")</b>	<b>100 mm (3.94")</b>	<b>135 mm (5.31")</b>	<b>285 mm (11.22")</b>
	<b>Brass</b>	26 m/s (5 118 ft/min)	12 m/s (2362 ft/min)	6 m/s (1 181 ft/min)	1 m/s (197 ft/min)
	<b>Stainless steel</b>	29 m/s (5 708 ft/min)	15 m/s (2953 ft/min)	9 m/s (1 771 ft/min)	2 m/s (394 ft/min)

# Ordering Guide

Feature	Description	Code		
Hardware Configuration		EE431-		
	Model	Active	M3	
		Passive		M7
	Output	0 - 10 V	A3	
		4 - 20 mA	A6	
		RS485		J3
	T sensor passive <sup>1)</sup> (R-T-characteristics see <a href="http://www.epluse.com/ee431">www.epluse.com/ee431</a> )	Pt100 DIN B		TP2
		Pt1000 DIN B		TP4
		NTC 20k, B4286		TP6
		Ni1000, TK6180 DIN B		TP9
		NTC 10k, B3950		TP11
		Ni1000, TK5000 DIN B		TP19
	Probe length	65 mm (2.56")	L65	
115 mm (4.53")		L115		
150 mm (5.91")		L150		
300 mm (11.81")		L300		
Accuracy	±0.25 °C	No code		
	±0.1 °C <sup>2)</sup>	TT2		
Display	Without display	No code		
	Display	D1		
Output (T) measurand	Temperature [°C]	No code		
	Temperature [°F]	MA2		
Output (T) scaling low	0	No code		
	Value (within the working range)	SALValue		
Output (T) scaling high	50	No code		
	Value (within the working range)	SAHValue		
Protocol	Modbus RTU <sup>3)</sup>		P1	
Baud rate	9600		BD5	
	19200		BD6	
	38400		BD7	

1) Other passive sensor types are available on request from a minimum order quantity of 500 pcs.

2) Uncertainty of factory calibration at 20°C ±0.1°C.

3) Factory settings: Parity even, stop bit 1. Modbus Map and communication setting: see User Guide and Modbus Application Note at [www.epluse.com/ee431](http://www.epluse.com/ee431).

# Order Examples

## EE431-M3J3L300P1BD7

Feature	Code	Description
Model	M3	Active
Output	J3	RS485
Probe length	L300	300 mm (11.81")
Protocol	P1	Modbus RTU
Baud rate	BD7	38400

## EE431-M3A3L115TT2D1

Feature	Code	Description
Model	M3	Active
Output	A3	0 - 10 V
Probe length	L115	115 mm (4.53")
Accuracy	TT2	±0.1 °C (Uncertainty of factory calibration at 20°C ±0.1°C)
Display	D1	Display

## EE431-M7TP11L65

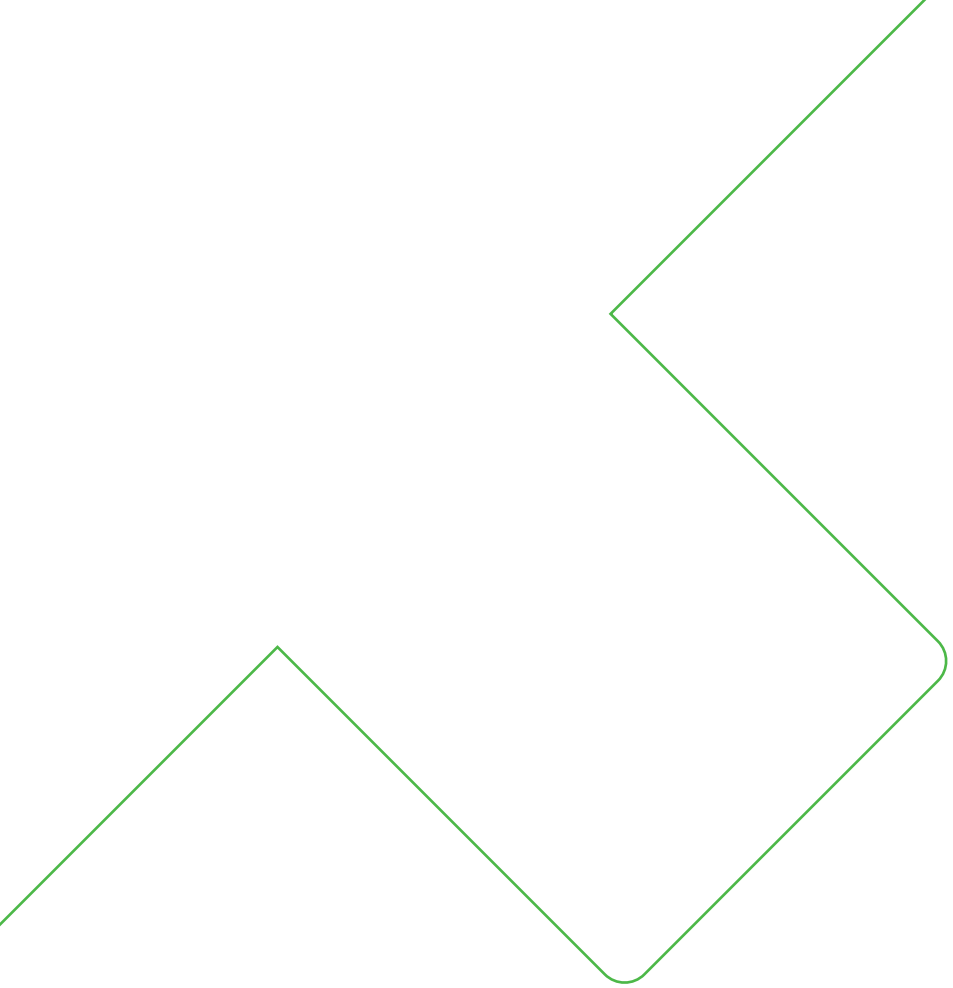
Feature	Code	Description
Model	M7	Passive
T sensor passive	TP11	NTC 10k, B3950
Probe length	L65	65 mm (2.56")



# Accessories

For further information see datasheet [Accessories](#).

Description		Code			
Product configuration adapter for 4 - 20 mA version without display		See datasheet <a href="#">EE-PCA</a>			
Configuration adapter for display and 0 - 10 V versions without display		<a href="#">HA011023</a>			
USB configuration adapter for digital output		<a href="#">HA011066</a>			
E+E Product Configuration Software for digital output and for 4 - 20 mA version without display (Free download: <a href="http://www.epluse.com/configurator">www.epluse.com/configurator</a> )		<a href="#">EE-PCS</a>			
E+E Product Configuration Software (Free download: <a href="http://www.epluse.com/pcs10">www.epluse.com/pcs10</a> ) for display and 0 - 10 V versions without display		<a href="#">PCS10</a>			
Power supply adapter for digital output		<a href="#">V03</a>			
Conduit Adapter, M16x1.5 auf 1/2"		<a href="#">HA011110</a>			
Mounting flange		<a href="#">HA401101</a>			
Immersion well - thread R 1/2" ISO	Length in mm (inch)	<a href="#">50 (1.97")</a>	<a href="#">100 (3.94")</a>	<a href="#">135 (5.31")</a>	<a href="#">285 (11.22")</a>
	Brass	<a href="#">HA400101</a>	<a href="#">HA400104</a>	<a href="#">HA400102</a>	<a href="#">HA400103</a>
	Stainless steel	<a href="#">HA400201</a>	<a href="#">HA400204</a>	<a href="#">HA400202</a>	<a href="#">HA400203</a>
Immersion well - thread 1/2" NPT	Length in mm (inch)	<a href="#">50 (1.97")</a>	<a href="#">100 (3.94")</a>	<a href="#">135 (5.31")</a>	<a href="#">285 (11.22")</a>
	Brass	<a href="#">HA400111</a>	<a href="#">HA400114</a>	<a href="#">HA400112</a>	<a href="#">HA400113</a>
	Stainless steel	<a href="#">HA400211</a>	<a href="#">HA400214</a>	<a href="#">HA400212</a>	<a href="#">HA400213</a>



Company Headquarters &  
Production Site

**E+E Elektronik Ges.m.b.H.**  
Langwiesen 7  
4209 Engerwitzdorf | Austria  
T +43 7235 605-0  
F +43 7235 605-8  
info@epluse.com  
www.epluse.com

Subsidiaries

**E+E Sensor Technology (Shanghai) Co., Ltd.**  
T +86 21 6117 6129  
info@epluse.cn

**E+E Elektronik France SARL**  
T +33 4 74 72 35 82  
info.fr@epluse.com

**E+E Elektronik Deutschland GmbH**  
T +49 6171 69411-0  
info.de@epluse.com

**E+E Elektronik India Private Limited**  
T +91 990 440 5400  
info.in@epluse.com

**E+E Elektronik Italia S.r.l.**  
T +39 02 2707 86 36  
info.it@epluse.com

**E+E Elektronik Korea Ltd.**  
T +82 31 732 6050  
info.kr@epluse.com

**E+E Elektronik Corporation**  
T +1 847 490 0520  
info.us@epluse.com



—  
your partner  
in sensor  
technology.