

## Instruction for Use

021549/06/16

### ***Wind Transmitter „First Class“ Advanced***

*Classified according to IEC 61400-12-1 (2005-12)*

**4.3351.x0.140 / 141 / 161 / 173 / 541**



### **ADOLF THIES GmbH & Co. KG**

Hauptstraße 76                      37083 Göttingen Germany  
Box 3536 + 3541                      37025 Göttingen  
Phone +49 551 79001-0              Fax +49 551 79001-65  
www.thiesclima.com                  info@thiesclima.com

## Safety Instructions

- Before operating with or at the device/product, read through the operating instructions. This manual contains instructions which should be followed on mounting, start-up, and operation. A non-observance might cause:
  - failure of important functions
  - Endangering of persons by electrical or mechanic effect
  - Damages at objects
- Mounting, electrical connection and wiring of the device/product must be carried out only by a qualified technician who is familiar with and observes the engineering regulations, provisions and standards applicable in each case.
- Repairs and maintenance may only be carried out by trained staff or **Adolf Thies GmbH & Co. KG**. Only components and spare parts supplied and/or recommended by **Adolf Thies GmbH & Co. KG** should be used for repairs.
- Electrical devices/products must be mounted and wired only in voltage-free state.
- **Adolf Thies GmbH & Co KG** guarantees proper functioning of the device/products provided that no modifications have been made to the mechanics, electronics or software, and that the following points are observed:
- All information, warnings and instructions for use included in these operating instructions must be taken into account and observed as this is essential to ensure trouble-free operation and a safe condition of the measuring system / device / product.
- The device / product is designed for a specific application as described in these operating instructions.
- The device / product should be operated with the accessories and consumables supplied and/or recommended by **Adolf Thies GmbH & Co KG** .
- Recommendation: As it is possible that each measuring system / device / product under certain conditions, and in rare cases, may also output erroneous measuring values, it is recommended to use redundant systems with plausibility checks with **security-relevant applications**.

## Environment

- As a longstanding manufacturer of sensors Adolf Thies GmbH & Co KG is committed to the objectives of environmental protection and is therefore willing to take back all supplied products governed by the provisions of "ElektroG" (German Electrical and Electronic Equipment Act) and to perform environmentally compatible disposal and recycling. We are prepared to take back all Thies products concerned free of charge if returned to Thies by our customers carriage-paid.
- Make sure you retain packaging for storage or transport of products. Should packaging however no longer be required, arrange for recycling as the packaging materials are designed to be recycled.



## Documentation

- © Copyright **Adolf Thies GmbH & Co KG**, Göttingen / Germany
- Although this operating instruction has been drawn up with due care, **Adolf Thies GmbH & Co KG** can accept no liability whatsoever for any technical and typographical errors or omissions in this document that might remain.
- We can accept no liability whatsoever for any losses arising from the information contained in this document.
- Subject to modification in terms of content.
- The device / product should not be passed on without the/these operating instructions.

## **Contents**

1	Models available .....	4
2	Application .....	4
3	Mode of Operation .....	5
4	Recommendation Side Selection / Standard Installation .....	5
5	Installation.....	5
5.1	Mechanical Mounting.....	6
5.2	Electrical Mounting .....	6
5.2.1	Cable .....	6
5.2.1.1	Cable Recommendation .....	6
5.2.2	Cable Shield.....	7
5.2.2.1	A Connecting Recommendation for the Cable Shield.....	7
5.2.3	Plug and Cable Mounting .....	8
5.3	Connecting Diagram.....	9
6	Maintenance .....	10
7	Technical Data .....	11
8	Dimensional Drawing .....	13
9	Accessories (optional).....	14
10	EC-Declaration of Conformity .....	15

## **Patent**

Patent Nr.: EP 1 398 637

Patent Nr.: DE 103 27 632

Patent Nr.: EP 1 489 427

## 1 Models available

---

Order - No.	Output Frequency Source / Sink	Output Analogue U / I	Meas. range	Heating
4.3351.00.140	1082 Hz @ 50 m/s	0...20 mA =0.3...75 m/s	0.3...75 m/s	24V AC/DC, 24 W
4.3351.00.141	1082 Hz @ 50 m/s	4...20 mA =0.3...75 m/s	0.3...75 m/s	24V AC/DC, 24 W
4.3351.00.161	1082 Hz @ 50 m/s	0...10 V =0.3...75 m/s	0.3...75 m/s	24V AC/DC, 24 W
4.3351.00.173	1082 Hz @ 50 m/s	0... 5 V =0.3...75 m/s	0.3...75 m/s	24V AC/DC, 24 W
4.3351.00.541	1082 Hz @ 50 m/s	4...20 mA =0.3...50 m/s	0,3...75 m/s	24V AC/DC, 24 W
4.3351.10.140	1082 Hz @ 50 m/s	0...20 mA =0.3...75 m/s	0.3...75 m/s	without
4.3351.10.141	1082 Hz @ 50 m/s	4...20 mA =0.3...75 m/s	0.3...75 m/s	without
4.3351.10.161	1082 Hz @ 50 m/s	0...10 V =0.3...75 m/s	0.3...75 m/s	without
4.3351.10.173	1082 Hz @ 50 m/s	0... 5 V =0.3...75 m/s	0.3...75 m/s	without

The following parts are included in delivery:

- 1 Instrument
- 1 Terminal plug
- 1 Instruction for Use

## 2 Application

---

The wind transmitter is designed for the acquisition of the horizontal component of the wind speed in the field of meteorology and environmental measuring technology, evaluation of location, and measurement of capacity characteristics of wind power systems.

- The measuring value is available at the outputs, at the same time, in digital form as frequency as well as also in analogue form as current or voltage.

The measuring data available are ideally adapted to the supply in display instruments, recording instruments, datalogger, as well as process control systems.

For winter operation the instrument is optionally equipped with an electronically regulated heating, which guarantees a smooth running of the ball bearings, and prevents the shaft and slot from icing-up.

### 3 Mode of Operation

---

A low-inertia cup star (in ball bearings) with 3 cups, made of carbon-fibre-reinforced plastic, is set into rotation by the wind. The rotation is scanned opto-electronically, and is converted into a square wave signal. The frequency of this signal is proportional to the number of rotations. A down-stream frequency/voltage-converter of high precision generates an output voltage which is strictly linear-dependent from the frequency. This analogue measuring data can be output alternatively as voltage- or current measuring value. At the same time, the wind transmitter delivers also the rectangular digital signal as output data. The supply of the electronics can be effected by dc-voltages from 15 v to 24 v. The supply of the optional heating is provided separately by an ac/dc. The heating prevents the Wind Transmitter First Class from blocking up even under extreme meteorological icing conditions.

The outer parts of the instrument are made of corrosion-resistant anodised aluminium. Highly effective labyrinth gaskets and O-rings protect the sensitive parts inside the instrument against humidity and dust. The instrument is mounted onto a mast tube; the electrical plug-connection is located in the transmitter shaft.

### 4 Recommendation Side Selection / Standard Installation

---

In general, wind-measuring instruments are supposed to record wind conditions over a large area. According to international regulations, the surface wind should be measured at a height of 10 m above even open terrain, in order to achieve comparable values. An open terrain is defined as terrain where the distance between the wind-measuring instrument and the next obstacle is at least ten times the height of this obstacle (acc. to VDI 3786 sheet 2 as well as Guide to Meteorological Instruments and Methods of Observation, Sixth Edition, WMO-No. 8). If this regulation cannot be fulfilled, the measuring instrument should be installed at a height at where the measurement values are not influenced by any local obstacles. In any case, the measuring instruments should be installed at a height of 6 to 10 m above the mean height of the buildings or trees in the vicinity. If it is necessary to install the instrument on a roof, it should be installed in the centre of the roof in order to avoid any preferential directions.

### 5 Installation

---

**Attention:**

*Storing, mounting, and operation under weather conditions is permissible only in vertical position, as otherwise water can get into the instrument.*

---

**Remark:**

*When using fastening adapters (angle, traverses, etc) please take a possible effect to the measuring values by shading into consideration.*

---

**Caution:**

*The device may only be supplied with a power supply of the „Class 2, limited power“.*

## 5.1 Mechanical Mounting

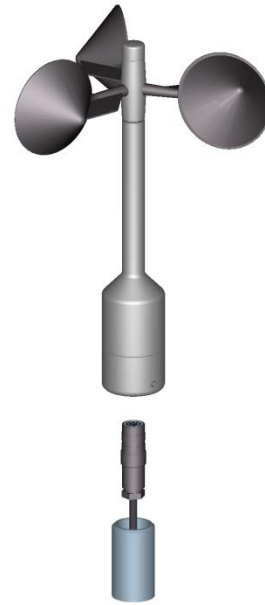
The wind transmitter must be mounted on an instrument carrier, which is suited for the measurement. For dimensions of wind direction transmitter please refer to chapter 8.

**Tools:**

Hexagon socket wrench SW3  
(Allen key)

**Procedure:**

1. Push cable/ plug connector of the wind transmitter through the borehole of the mast, tube, arm etc.
2. Put wind transmitter on mast, tube, arm etc.
3. Safeguard the wind transmitter by two M6-Allen head screws


**Remark:**

Suitable instrument carriers are masts, tubes, traverses, arms, adapters, adapters of POM for isolated mounting, which correspond to the mounting dimensions of the wind transmitter, and to the static requirements.

The inner diameter of the instrument carrier should be  $\geq 20$  mm based on plug- and cable feed-through.

## 5.2 Electrical Mounting

### 5.2.1 Cable

Solder a shielded cable with diameter 7-8 mm and a core cross-section of 0.5...0.75 mm<sup>2</sup> to the enclosed coupling socket.

- The number of necessary wires is given in the connection diagram (chapter 5.3).

#### 5.2.1.1 Cable Recommendation

No. of wires/ diameter / type / cable diameter
CABLE 4X0,5mm <sup>2</sup> LI9YC11Y BLACK, UV- resistant, Ø 6 mm
CABLE 8x0,5mm <sup>2</sup> LIYCY BLACK, UV- resistant, Ø 7.6 mm

## 5.2.2 Cable Shield

The connection of the cable shield between sensor and data acquisition device should be selected in way, that in case of over-voltages no equalizing currents will flow that might destroy the electronic components.

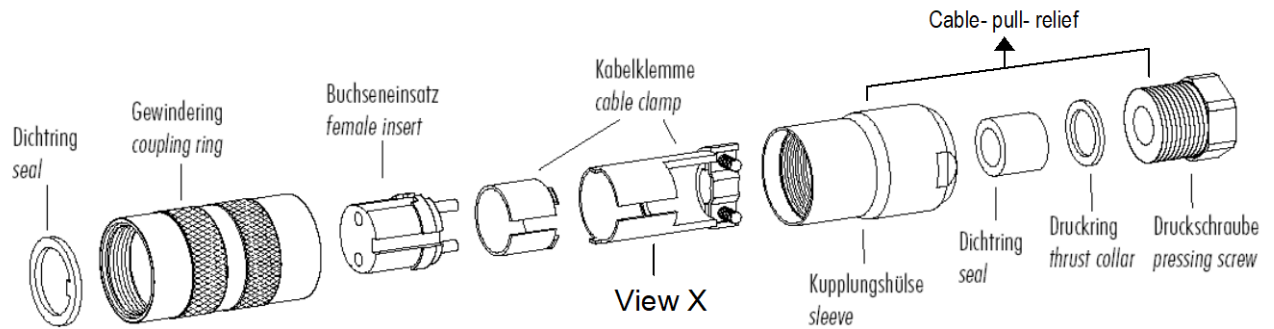
The connection of the cable shield should depend on the selected isolated, or respectively, non-isolated mounting of the sensors.

### 5.2.2.1 A Connecting Recommendation for the Cable Shield

	Sensor Carrier	Sensor	Shielding / Ground	Lightning Protection
1.	Metallic measurement mast, grounded	<b>Isolated</b> mounting at the measuring mast (e.g. by non-metallic brackets, holder etc. or by metallic brackets, holder etc. with isolated plastic adaptors)	Apply the cable shield between sensor and data acquisition device (e.g. datalogger) both-sided. Ground data acquisition device.	Mount metallic lightning protection rod on the mast. Alternatively: Install separate lightning protection rod beside the measurement mast.
2.	Metallic measurement mast, grounded	<b>Non-isolated</b> mounting at the measurement mast (e.g. by metallic brackets, holders etc.)	Apply cable shield between sensor and data acquisition device (e.g. datalogger) only one-sided at the acquisition device. Ground data acquisition device.	Mount metallic lightning protection rod on the mast in <b>isolated condition</b> , and ground lightning protection rod. Alternatively: Install separate lightning protection rod beside the measurement mast.
3.	Metallic measurement mast, not grounded (mounted in isolated condition, e.g. on the attic)	<b>Non-isolated</b> mounting at the measurement mast (e.g. by metallic brackets, holders etc.)	Apply the cable shield between sensor and data acquisition device (e.g. datalogger) both-sided. Ground data acquisition device.	Mount metallic lightning protection rod on the mast in <b>isolated condition</b> , and ground lightning protection rod. Alternatively: Install separate lightning protection rod beside the measurement mast.
4.	Non-metallic measuring mast (=isolated)	Mounting at the measurement mast (e.g. by metallic brackets, holders etc.)	Apply the cable shield between sensor and data acquisition device (e.g. datalogger) both-sided. Ground data acquisition device.	Mount metallic lightning protection rod on the mast, and ground lightning protection rod. Alternatively: Install separate lightning protection rod beside the measurement mast.

## 5.2.3 Plug and Cable Mounting

Coupling socket, Type: Binder, Serial 423, EMC with cable clamp



Cable connection: **with** cable shield

1. Stringing parts on cable acc. to plan given above.
2. Stripping cable sheath 20 mm  
Cutting uncovered shield 15 mm  
Stripping wire 5mm.

### Cable mounting 1

Putting shrink hose or insulating tape between wire and shield.

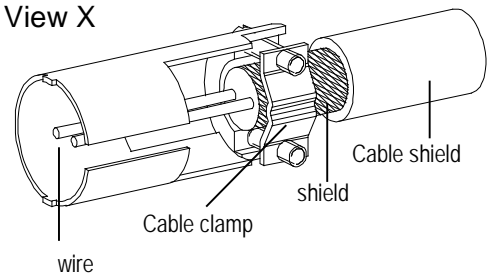
### Cable mounting 2

If cable diameter permits, put the shield backward on the cable sheath.

3. Soldering wire to the insert, positioning shield in cable clamp.
4. Screwing-on cable clamp.
5. Assembling remaining parts acc. to upper plan.
6. Tightening pull-relief of cable by screw-wrench (SW16 und 17).

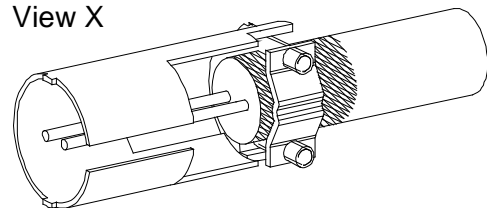
### Cable mounting 1

View X



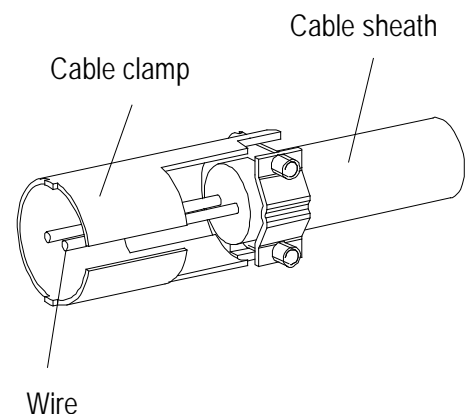
### Cable mounting 2

View X



Cable connection: **without** cable shield

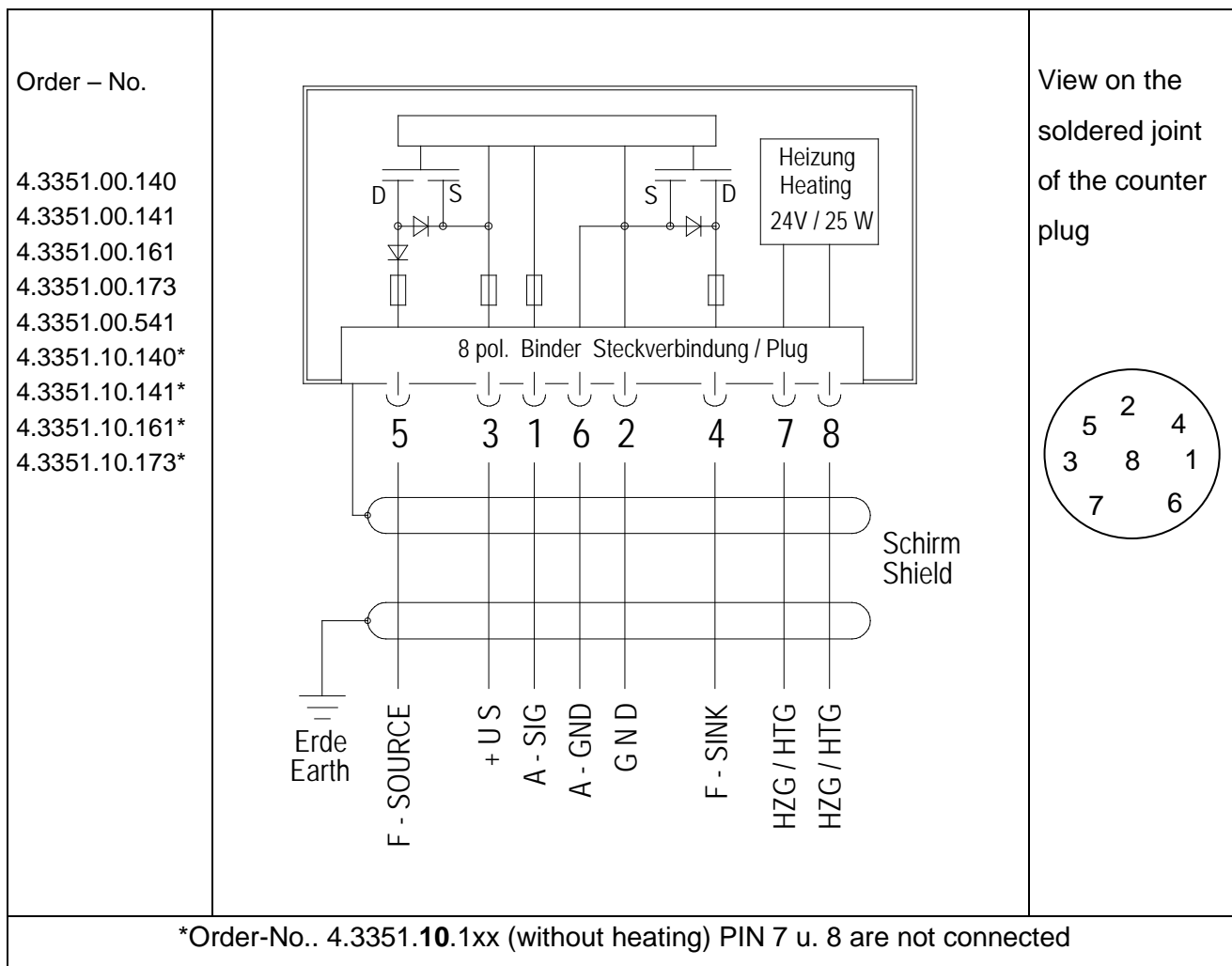
1. Stringing parts on cable acc. to plan given above.
2. Stripping cable sheath 20 mm.
3. Cutting uncovered shield 20 mm.
4. Stripping wire 5mm.
5. Soldering wire to the insert.
6. Positioning shield in cable clamp.
7. Screwing-on cable clamp.
8. Assembling remaining parts acc. to upper plan.
9. Tightening pull-relief of cable by screw-wrench (SW16 und 17).





### 5.3 Connecting Diagram

Connection diagram acc. to chapter 5.2.2.1 no.1, 3 and 4:



Pin	Name	Function
1	A - SIG	Analogue output
6	A - GND	Analogue ground
2	GND	Ground supply
3	+Us	Supply 15 V...24 V DC
4	F - SINK	Frequency output (rectangle), open Drain
5	F - SOURCE	Frequency output (rectangle), source (open Drain)
7	HTG	Heating supply:
8	HTG	voltage: 24 V AC/DC Power : 25 W
<p>*Order-No.. 4.3351.10.1xx (without heating) PIN 7 u. 8 are not connected</p>		

## 6 Maintenance

---

If properly installed, the instrument requires no maintenance.

The ball bearings of the wind transmitter are prone to wear, and with a prolonged use they might change the dynamic behavior of the cup star. Therefore, we recommend checking the instrument in regular intervals.

### **Cleaning**

For the cleaning of the device should use a damp cloth without chemical cleaning agents are used

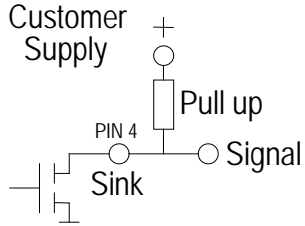
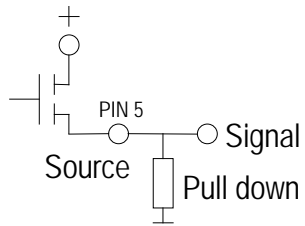
---

**Remark:**

*For transport of instrument please use original packing.*

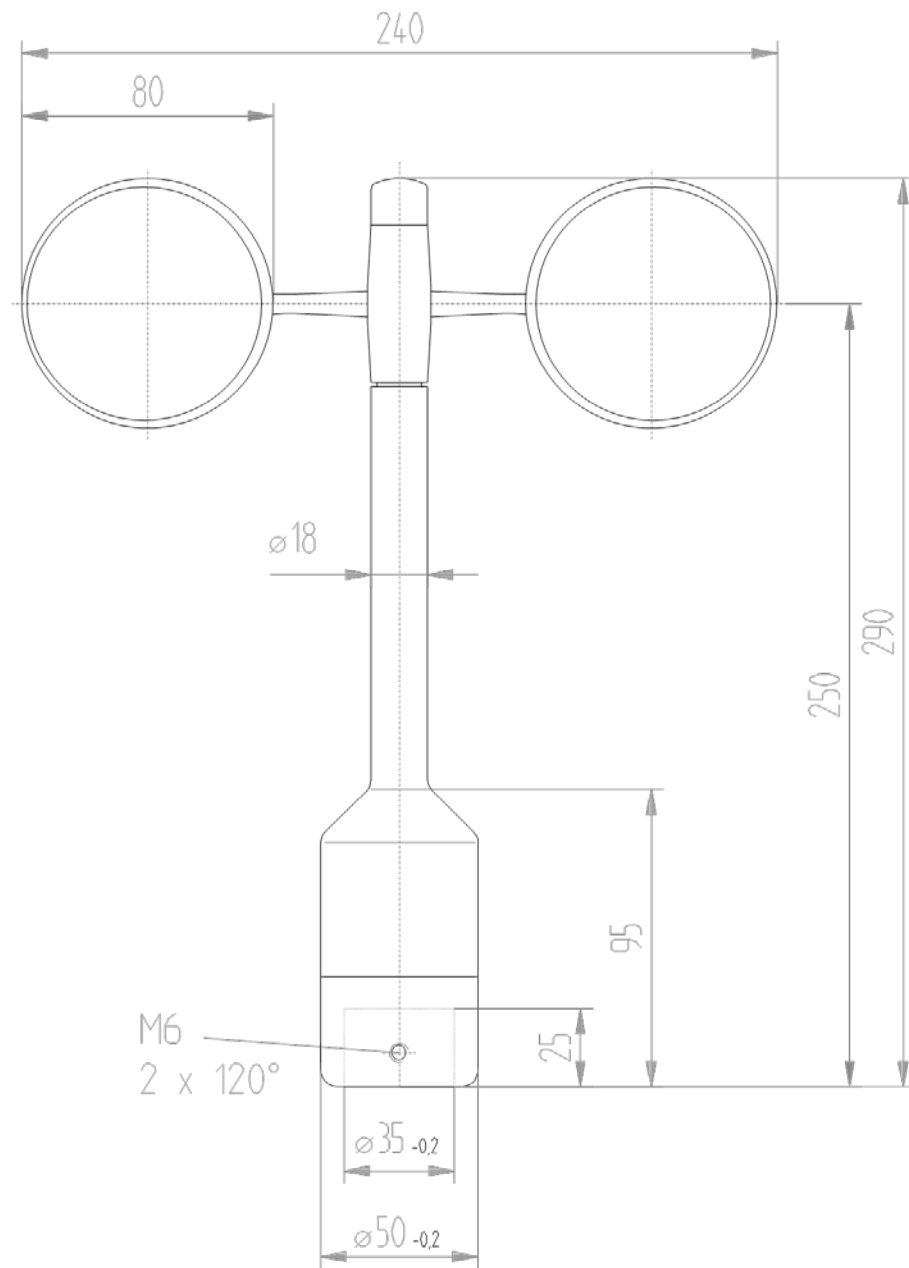
---

## 7 Technical Data

Characteristic	Description
Measuring range	0.3 ... 75 m/s
Accuracy	0.3...50 m/s 1% of measuring value or < 0.2 m/s
Survival speed	80 m/s (min. 30 min.)
Permissible Ambient conditions	- 50...+ 80°C, all occurring situations of relative humidity (including dew moistening)
Output signals digital	
Form	Rectangle
Frequency	1082 Hz @ 50 m/s
Sink-output	Pull down on ground (Open Drain)
Permissible drain-current	max. 250mA
Ext. Pull up resistance	R > 100 Ω @ maximum voltage of +24 V
	
Source-output	Pull up on supply (Open Drain)
Permissible Source-current	maximal 100mA
Ext. Pull down resistance	R > 270 Ω @ maximum voltage of +24 V
	
Permissible Parallel-capacity	C < 200 nF corresponds to typical cable length of 1km
Output signal analogue	
4.3351.x0.140	Current 0 ... 20.0 mA = 0 ... 75 m/s @ 500Ω
4.3351.x0.141	Current 4 ... 20.0 mA = 0 ... 75 m/s @ 500Ω
4.3351.x0.541	Current 4 ... 20.0 mA = 0 ... 50 m/s @ 500Ω
4.3351.x0.161	Voltage 0 ... 10.0 V = 0 ... 75 m/s @ 5 kΩ
4.3351.x0.173	Voltage 0 ... 5.0 V = 0 ... 75 m/s @ 5 kΩ
Linearity F/U-converter	Correlation factor r between output voltage and frequency r > 0.999 999 (0.2 ... 50 m/s)
Linearity Complete instrument	correlation r between output data and wind speed y=0.0462* f +0.21 typical r > 0.999 99 (4 ... 20 m/s)
Starting velocity	< 0.3 m/s
Resolution	
digital	0.05 m wind run
analogue	0.1 m/s
Distance constant	< 3 m (acc. to ASTM D 5096 – 96), 3 m acc. to ISO 17713-1

Turbulent flow	Deviation $\Delta v$ turbulent compared with stationary horizontal flow $-0.5\% < \Delta v < +2\%$ Frequency $< 2$ Hz
Classification	According to IEC 61400-12-1 (2005-12) Class A classification index A 0.9 Class B classification index B 3.0 Class S classification index S 0.5
Heating	Surface temperature of housing neck $> 0^{\circ}\text{C}$ at 20 m/s up to $-10^{\circ}\text{C}$ air temperature, at 10 m/s to $-20^{\circ}\text{C}$ using the Thies icing standard 012002 on the housing neck heating regulated by temperature sensor on constantly $+7^{\circ}\text{C}$ .
Electrical supply for electronics	Voltage: 15...24 V DC (galvanic isolation from housing) current: 8 mA typical @ voltage output and without external load current: 8 mA + output current typical @ current output Ripple immunity: max. 25% rms $\approx 20$ V <sub>pp</sub> @ 24 V
Electrical supply for heating	current: 24 V AC/DC, 54...65Hz (galvanic isolation from housing) Idling voltage: max. 30 V AC, max. 42 V DC Power: 25 W
Connection	8-pole plug-connection for shielded cable in the shaft (see connecting diagram)
Mounting	Mounting on mast R 1", for ex. DIN 2441 1½ " with separate adaptor (option)
Wind load at 75 m/s	ca. 100 N
Dimensions	See dimension diagram
Weight	ca. 0.5 kg
Protection	IP 55 (DIN 40050)

## 8 Dimensional Drawing



## 9 Accessories (optional)

<p>Traverse 0.6 m For mounting the wind speed and wind direction transmitter jointly onto a mast.</p>	4.3174.00.000	<p>Horizontal sensor distance: 0.6 m Vertical sensor distance: 0.2 m Mast receptacle: 48 - 50 mm Material: Aluminum, anodised Dimensions: tube Ø 34x4mm, 668 mm long, 756 mm high</p>
<p>Hanger -FIRST CLASS- 1m For the lateral mounting of a wind speed and wind direction transmitter onto a mast tube.</p>	4.3184.01.000	<p>Sensor distance to mast: 1 m Mast clamp: 40 – 80 mm Tube diameter: 34 mm Material: Aluminum</p>
<p>Lightning rod For mounting the a/m traverse or hanger.</p>	4.3100.98.000	<p>Dimension: Ø 12 mm, 500 mm long, 1050 mm high Material: Aluminum</p>
<p>Adaptor For isolated mounting of each wind transmitter and wind direction transmitter on the traverse (4.3174.0.000).</p>	509077	<p>Dimension: A:Ø 34 mm, outside 25 mm high B:Ø 35 mm, inside 45 mm high Material: POM</p>

Please contact us for other accessories such as cables, power supply units, masts, as well as for additional mast- or system-constructions.

Example: Wind transmitter with traverse 4.3174.00.000 and lightning rod 4.3100.98.000.



# 10 EC-Declaration of Conformity

Document-No.: 001574 Month: 06 Year: 16

Manufacturer: **ADOLF THIES GmbH & Co. KG**  
Hauptstr. 76  
D-37083 Göttingen  
Tel.: (0551) 79001-0  
Fax: (0551) 79001-65  
email: Info@ThiesClima.com

This declaration of conformity is issued under the sole responsibility of the manufacturer

## Description of Product: **Windsensor FIRST CLASS**

Article No.	<b>4.3350.00.000</b>	<b>4.3350.00.140</b>	<b>4.3350.00.141</b>	<b>4.3350.00.161</b>
	<b>4.3350.10.000</b>	<b>4.3350.10.140</b>	<b>4.3350.10.141</b>	<b>4.3350.10.161</b>
	<b>4.3351.00.000</b>	<b>4.3351.00.140</b>	<b>4.3351.00.141</b>	<b>4.3351.00.161</b>
	<b>4.3351.00.541</b>	<b>4.3351.10.000</b>	<b>4.3351.10.140</b>	<b>4.3351.10.141</b>
	<b>4.3351.10.161</b>	<b>4.3351.90.141</b>		

specified technical data in the document: **021309/09/09; 021435/09/09; 021518/01/09; 021548/06/16; 021678/09/11**

The indicated products correspond to the essential requirement of the following European Directives and Regulations:

2014/30/EU	DIRECTIVE 2014/30/EU OF THE EUROPEAN PARLIAMENT AND OF THE COUNCIL of 26 February 2014 on the harmonisation of the laws of the Member States relating to electromagnetic compatibility
2014/35/EU	DIRECTIVE 2014/35/EU OF THE EUROPEAN PARLIAMENT AND OF THE COUNCIL of 26 February 2014 on the harmonisation of the laws of the Member States relating to the making available on the market of electrical equipment designed for use within certain voltage limits
552/2004/EC	Regulation (EC) No 552/2004 of the European Parliament and the Council of 10 March 2004 on the interoperability of the European Air Traffic Management network (the interoperability Regulation)
2011/65/EU	DIRECTIVE 2011/65/EU OF THE EUROPEAN PARLIAMENT AND OF THE COUNCIL of 8 June 2011 on the restriction of the use of certain hazardous substances in electrical and electronic equipment
2012/19/EU	DIRECTIVE 2012/19/EU OF THE EUROPEAN PARLIAMENT AND OF THE COUNCIL of 4 July 2012 on waste electrical and electronic equipment (WEEE)

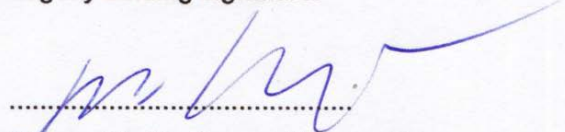
The indicated products comply with the regulations of the directives. This is proved by the compliance with the following standards:

EN 61000-6-2	Electromagnetic compatibility Immunity for industrial environment
EN 61000-6-3	Electromagnetic compatibility Emission standard for residential, commercial and light industrial environments
EN 61010-1	Safety requirements for electrical equipment for measurement, control, and laboratory use. Part 1: General requirements
EN 50581	Technical documentation for the assessment of electrical and electronic products with respect to the restriction of hazardous substances

Place: Göttingen  
Signed for and on behalf of:

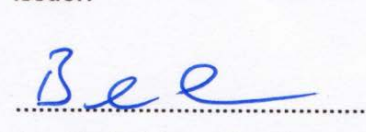
Date: 13.06.2016

Legally binding signature:



Thomas Stadie, General Manager Sales

issuer:



Joachim Beinhorn, Development Manager

This declaration certifies the compliance with the mentioned directives, however does not include any warranty of characteristics. Please pay attention to the security advises of the provided instructions for use.



## **ADOLF THIES GmbH & Co. KG**

Hauptstraße 76 37083 Göttingen Germany  
P.O. Box 3536 + 3541 37025 Göttingen  
Phone +49 551 79001-0 Fax +49 551 79001-65  
[www.thiesclima.com](http://www.thiesclima.com) [info@thiesclima.com](mailto:info@thiesclima.com)



- Alterations reserved-