

WIND TRANSMITTER »COMPACT«

The innovative
wind transmitter with
good price/performance ratio

Thies
CLIMA





Wind Transmitter »compact«

The “compacts” are predestined for use in building technology systems, in industrial power plants, wind power plants, and in environmental protection – everywhere where precise weather data must be determined and converted for control technology purposes. The different electrical outputs are universally compatible, also with other innovative systems.

Selected and tested materials ensure the operation even under extreme conditions.

The housings are made of **seawater-resistant** anodized aluminum. Cupstar and wind vane are made of **glass fiber reinforced** special plastic and thus extremely durable and resistant.

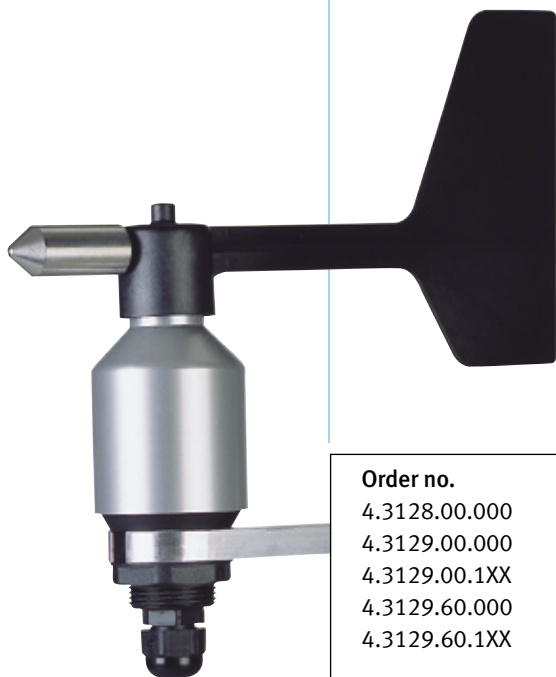


Wind Transmitter »compact«

Measuring range	0,5 ... 75 m/s
Survival speed	85 m/s
Resolution	< 0,1 m/s
Accuracy	±3% of meas. value or ±0,5 m/s
Heating	20 W, 24 V AC/DC
Ambient temperature	- 40 ... + 70 °C
Connection	cable UV-resistant or 7-pol. connector
Dimension	Ø 135 x 165 mm
Weight	0,4 kg / 0,75 kg

Order no.	Electr. output	Operating voltage
4.3518.00.000	2 ... 573 Hz open collector sink	10 ... 28 V DC
4.3520.00.000	2 ... 573 Hz open collector source	10 ... 28 V DC
4.3519.00.000	2 ... 630 Hz	4 ... 40 V DC Low power
4.3519.00.1XX	0-20mA, 4-20mA, 0- 10V* ,0-5 V ,0-2 V	9 ... 30 V DC,* 13 ... 30 VDC /24VAC

All types also available with plug connector, e.g. 4.3519.00.700 , 4.3518.00.700 or 4.3519.741



Wind Direction Transmitter »compact«

Measuring range	0 ... 360 °
Survival speed	85 m/s
Resolution	depending on type 11,25° / 0,4°
Accuracy	depending on type +/- 5° / +/-2°
Heating	20 W , 24 V AC/DC
Ambient Temperature	- 40 ... + 70 °C
Anschlussart	cable UV-resistant or 7-pol. connector
Dimension	Ø 135 x 165 mm
Weight	0,6 kg / 1,1 kg

Order no.	Electr. output	Operating voltage
4.3128.00.000	2, 3, 4 bit Gray-Code	10 ... 28 VDC
4.3129.00.000	5 bit Gray-Code serial synchronous	5 ... 30 VDC Low power
4.3129.00.1XX	0-20mA, 4-20mA, 0- 10V* ,0-5 V ,0-2 V	9 ... 30 VDC,* 15 ... 30 VDC / 24 VAC
4.3129.60.000	8 bit Gray –Code serial synchronous	5 ... 30 VDC Low Power
4.3129.60.1XX	0-20mA, 4-20mA, 0- 10V* ,0-5 V ,0-2 V	9 ... 30 VDC,* 15 ... 30 VDC / 24 VAC

All types also available with plug connector, e.g. 4.3129.00.700 , 4.3129.00.741

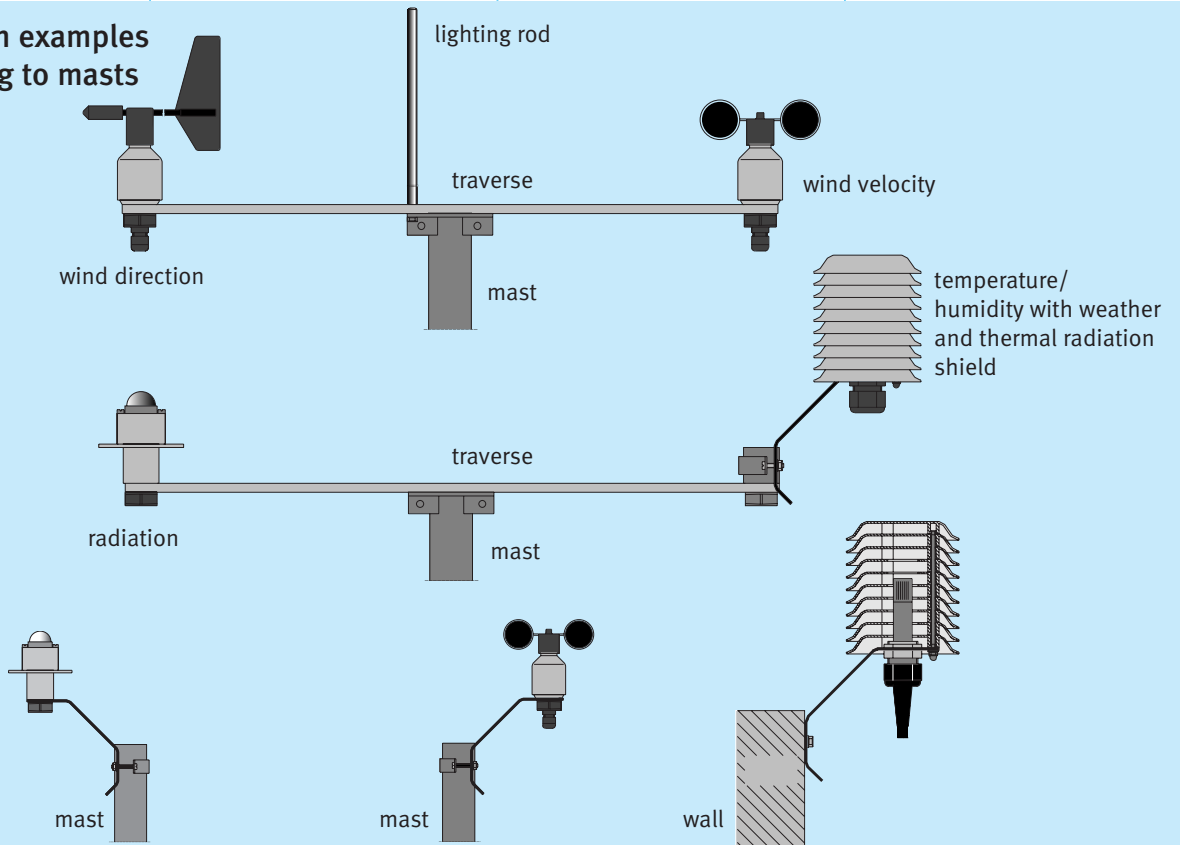


ADOLF THIES GMBH & CO KG
 Meteorology – Environmental Technology
 Box 3536 + 3541
 D-37025 Göttingen
 Phone ++ 551 7 90 01 –0
 Fax ++ 551 7 90 01 –65
 E-Mail info@thiesclima.com
 www.thiesclima.com





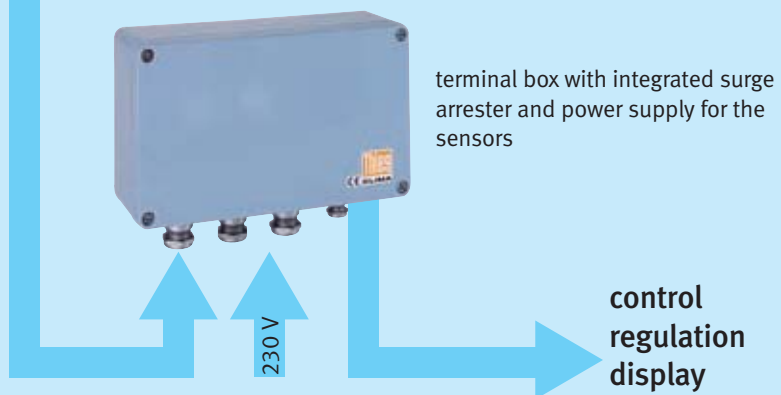
Construction examples for mounting to masts and walls:



measure – control – regulation – display



wind direction wind velocity temperature humidity brightness radiation amount of precipitation precipitation



Contact us with your individual wishes. We will be happy to advise you.



ADOLF THIES GMBH & CO KG
 Meteorology and environmental measuring technique
 P. O. Box 3536 + 3541
 D-37025 Göttingen
 Tel. +49 551 7 90 01 – 0
 Fax +49 551 7 90 01 – 65
 info@thiesclima.com
 www.thiesclima.com

